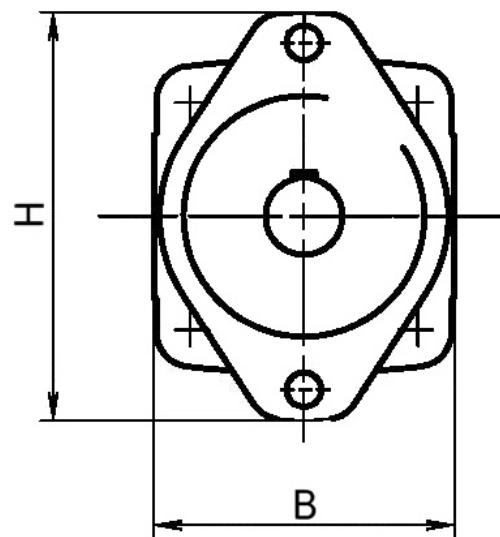
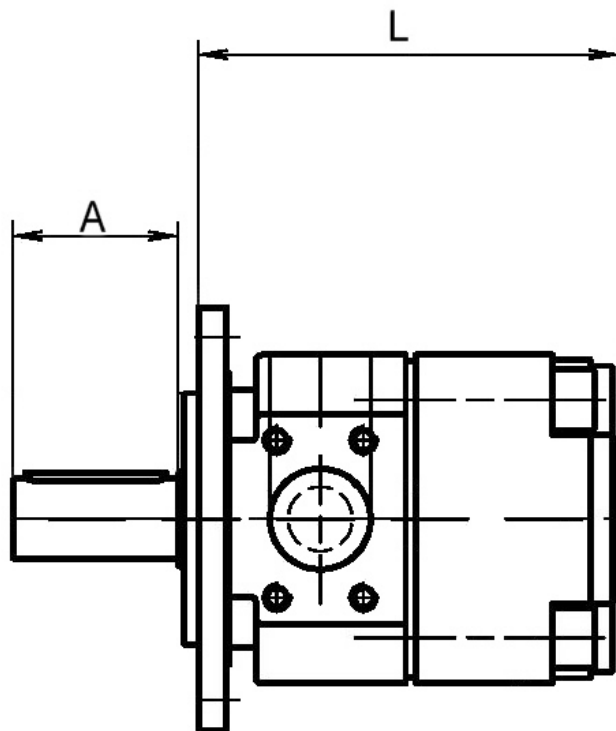
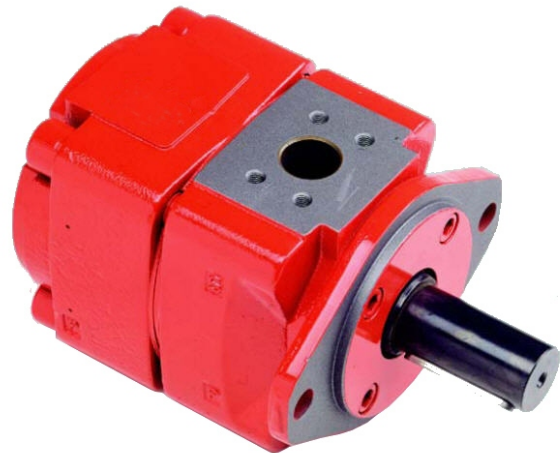


Innenzahnradpumpe QX

- P max. 320 bar
- Q max. 361 l / min.



Artikel	Bezeichnung	cm3	max. Druck bar	Drehzahl max.	A	L	B	H
490020	QX23-005/R	5.1	320	5000	36	153	100	118
490021	QX23-006/R	6.3	320	5000	36	153	100	118
490022	QX23-008/R	8.0	320	5000	36	153	100	118
490023	QX33-010/R	10.0	320	4300	42	189	120	132
490024	QX33-012/R	12.6	320	4300	42	189	120	132
490025	QX33-016/R	15.6	320	4300	42	189	120	132
490026	QX43-020/R	20.4	320	3600	58	232	125	170
490027	QX43-025/R	25.1	320	3600	58	232	125	170
490028	QX43-032/R	32.4	320	3600	58	232	125	170
490029	QX53-040/R	39.3	320	3000	82	280	156	212
490030	QX53-050/R	50.6	320	3000	82	280	156	212
490031	QX53-063/R	63.7	320	3000	82	280	156	212
490032	QX63-080/R	80.2	320	2500	82	338	195	267
490033	QX63-100/R	101.0	320	2300	82	338	195	267
490034	QX63-125/R	124.8	320	2000	82	338	195	267
490035	QX83-160/R	163.0	320	1800	105	446	250	330
490036	QX83-200/R	201.3	320	1750	105	446	250	330
490037	QX83-250/R	249.2	320	1500	105	446	250	330