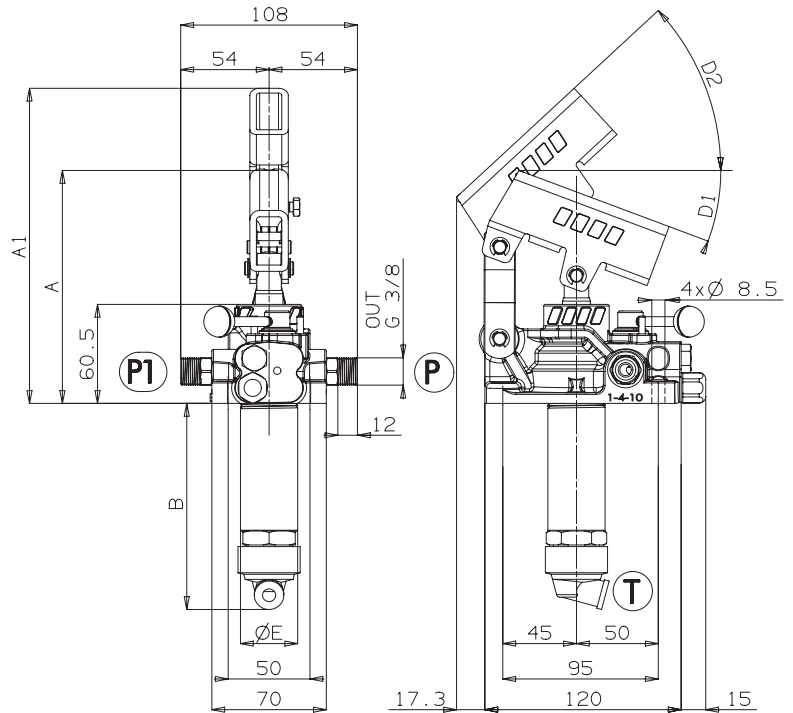
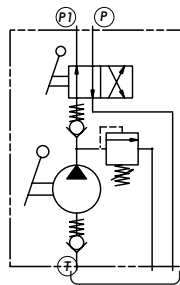
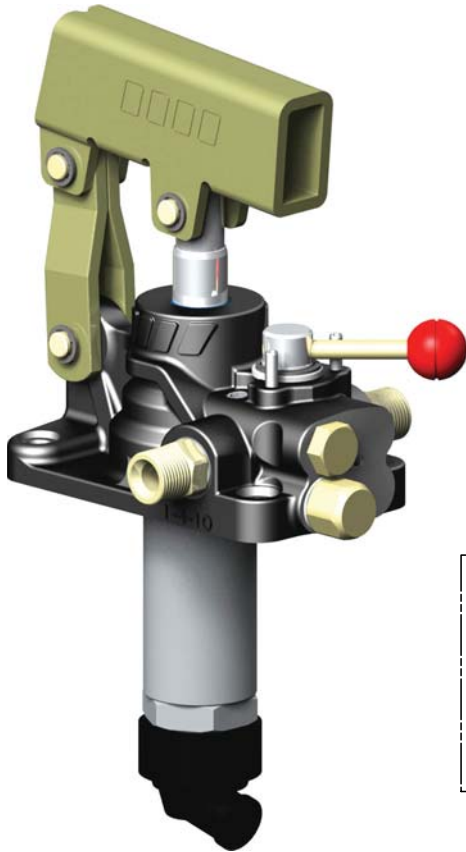


Doppelwirkende Handpumpen PMI + VS 12-25-45

Betriebsdruck max. 350 bar



Artikel	Bezeichnung	A mm	A1 mm	B mm	D1 °	D2 °	E mm
495000	PMI 12+VS - S1	143	187	120	18.5	45	35
495001	PMI 12+VS - S2	143	187	120	18.5	45	35
495002	PMI 12+VS - S3	143	187	120	18.5	45	35
495003	PMI 12+VS - S5	143	187	120	18.5	45	35
495004	PMI 12+VS - S7	143	187	120	18.5	45	35
495005	PMI 12+VS - S10	143	187	120	18.5	45	35
495006	PMI 25+VS - S1	142	193	127	20	45	35
495007	PMI 25+VS - S2	142	193	127	20	45	35
495008	PMI 25+VS - S3	142	193	127	20	45	35
495009	PMI 25+VS - S5	142	193	127	20	45	35
495010	PMI 25+VS - S7	142	193	127	20	45	35
495011	PMI 25+VS - S10	142	193	127	20	45	35
495012	PMI 45+VS - S1	141	193	138	20	45	42
495013	PMI 45+VS - S2	141	193	138	20	45	42
495014	PMI 45+VS - S3	141	193	138	20	45	42
495015	PMI 45+VS - S5	141	193	138	20	45	42
495016	PMI 45+VS - S7	141	193	138	20	45	42
495017	PMI 45+VS - S10	141	193	138	20	45	42